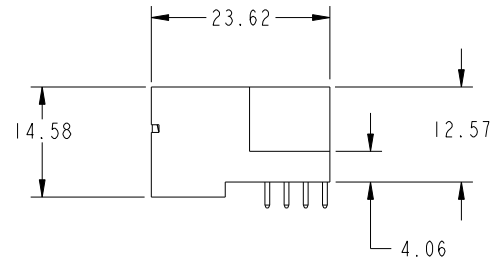
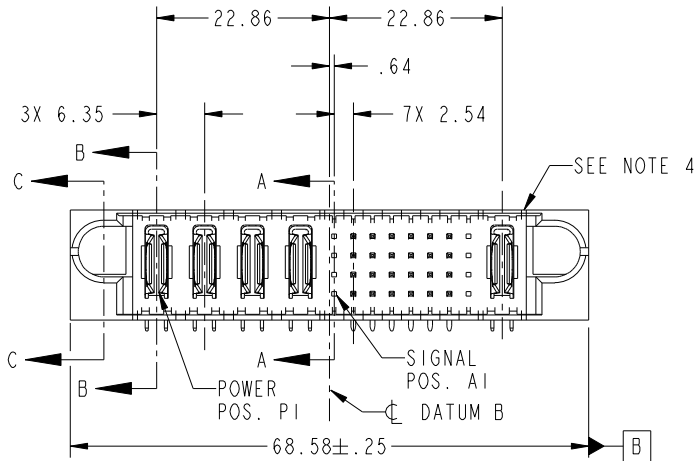
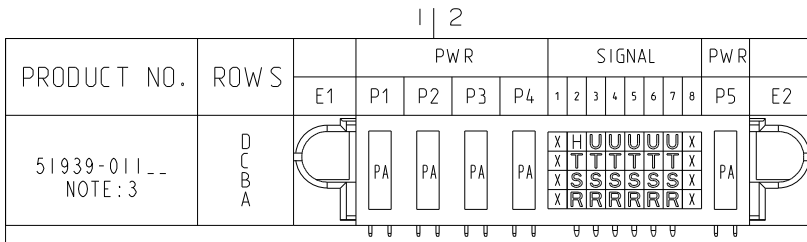


Tous droits strictement réservés. Reproduction ou communication a des tiers interdite sous quelque forme que ce soit sans autorisation écrite du propriétaire. Propriété de c.FCI. Droits de reproduction FCI.

All rights strictly reserved. Reproduction or issue to third parties in any form whatever is not permitted without written authority from the proprietor. Property of FCI. Copyright FCI.



CODE	DIM "M" MATING LENGTH	CONTACT TYPE
H	[5.59]	SIGNAL
R	[6.86]	SIGNAL
S	[6.86]	SIGNAL
T	[6.86]	SIGNAL
U	[6.86]	SIGNAL
PA	[N/A]	POWER
X	OMITTED	OMITTED

mat'l code				SEE NOTE		tolerances unless otherwise specified		CUSTOMER	
lir	ecn no.	dr	date	linear	0.X ± 0.5	COPY		FCI	
A	V20528	JWS	03-18-02		0.XX ± 0.25	projection		www.fciconnect.com	
B	DG05-0417	CS	10/25/05	angles	0.XXX ± 0.10	MM		title	
C	DG07-0498	JW	09/12/08		0° ± 2°	scale		4P + 32S + IP	
				dr	J. SHAFFER 03-18-02	1:1		RIGHT ANGLE SOLDER HEADER	
				enrg	J. ALLISON 03-18-02			product family	
				chr	J. ALLISON 03-18-02			PwrBlade	
				appd	J. ALLISON 03-18-02			code	
sheet index	revision sheet	C 1	C 2	C 3	C 4			size	
								dwg no	
								A 51939-011	
								sheet	
								1 of 4	

product family	code
PwrBlade	213
size	sheet
A	1 of 4

A

B

1 | 2

Pro/E

PDM: Rev: C

STATUS: Released

Printed: Sep 26, 2008

3

4

A

B

cage code 2856

4

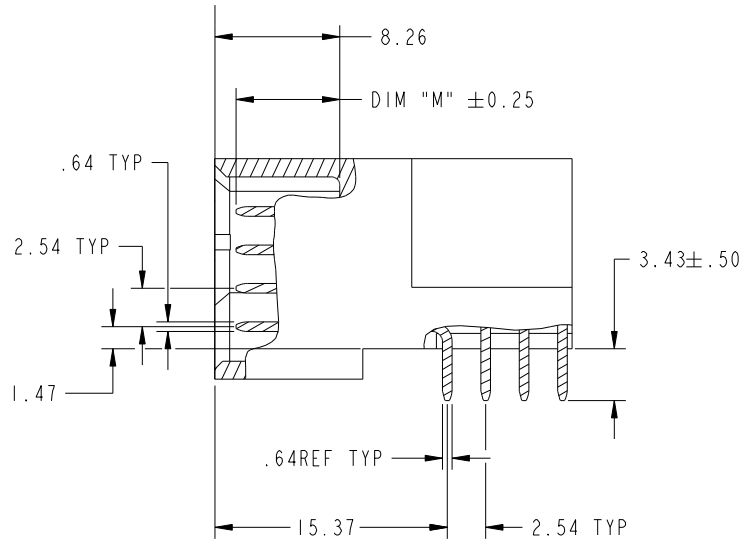
Tous droits strictement réservés. Reproduction ou communication a des tiers interdite sous quelque forme que ce soit sans autorisation écrite du propriétaire. Propriété de c.FCI. Droits de reproduction FCI.

All rights strictly reserved. Reproduction or issue to third parties in any form whatever is not permitted without written authority from the proprietor. Property of FCI. Copyright FCI.

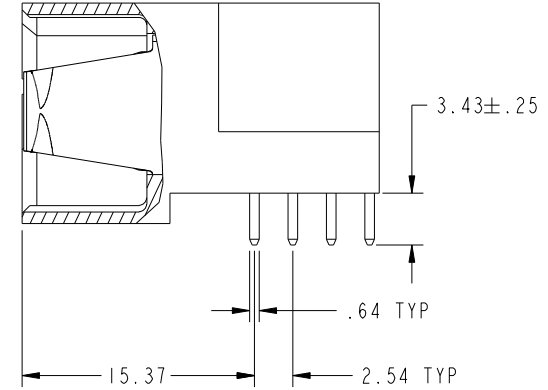


PRODUCT NUMBER

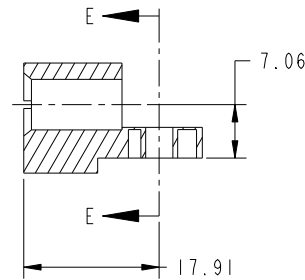
51939-011--
NOTE: 3



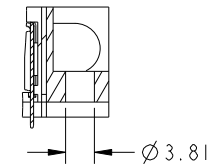
BROKEN-OUT SECTION A-A
SCALE 2:1



BROKEN-OUT SECTION B-B
SCALE 2:1



SECTION C-C



PARTIAL SECTION E-E

mat'l code		SEE NOTE		tolerances unless otherwise specified		CUSTOMER		 www.fciconnect.com	
lir	ecn no.	dr	date	linear	0.X ±0.5	COPY		title	
C				linear	0.XX ±0.25	projection		4P + 32S + IP	
				angles	0.XXX ±0.10			RIGHT ANGLE SOLDER HEADER	
				dr	0° ±2°			product family PwrBlade	
				enrg	J. SHAFFER 03-18-02	scale		code	
				enrg	J. ALLISON 03-18-02	1:1		213	
				chr	J. ALLISON 03-18-02			sheet	
				appd	J. ALLISON 03-18-02			2	
sheet index	revision sheet							cage code 22526	

A

A

B

B

1 | 2

3

4

1 | 2

Pro/E

PDM: Rev: C

STATUS: Released

Printed: Sep 26, 2008

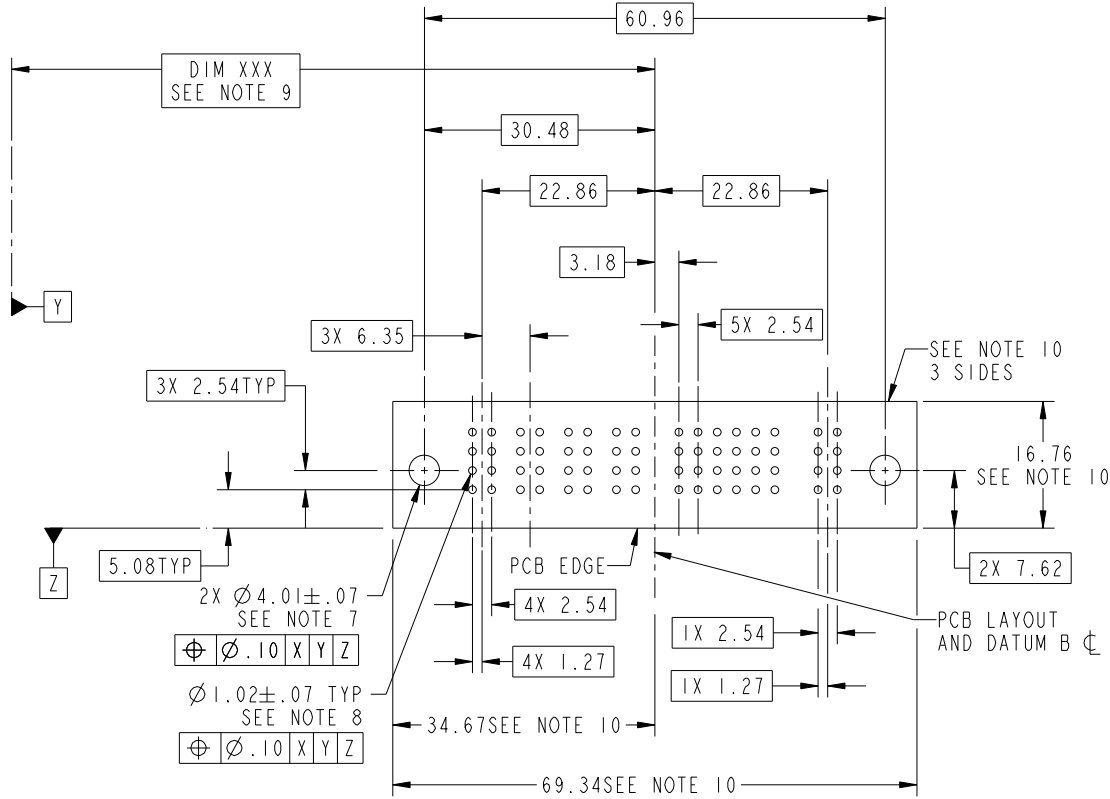
Tous droits strictement reserves. Reproduction ou communication a des tiers interdite sous quelque forme que ce soit sans autorisation ecrite du proprietaire. Propriete de c.FCI. Droits de reproduction FCI.



All rights strictly reserved. Reproduction or issue to third parties in any form whatever is not permitted without written authority from the proprietor. Property of FCI. Copyright FCI.

PRODUCT NUMBER

51939-011--
NOTE: 3



RECOMMENDED PCB LAYOUT

mat'l code		SEE NOTE		tolerances unless otherwise specified		CUSTOMER		 www.fciconnect.com	
lfr	ecn no.	dr	date	linear	0.X ± 0.5	COPY		title	
C				linear	0.XX ± 0.25	projection		4P + 32S + IP	
				angles	0.XXX ± 0.10			RIGHT ANGLE SOLDER HEADER	
				dr	0° ± 2°	MM		product family	
				enrg	J. SHAFFER 03-18-02	scale		PwrBlade	
				chr	J. ALLISON 03-18-02	1:1		code	
				appd	J. ALLISON 03-18-02			213	
sheet index	revision sheet							sheet	
								3	
								cage code	
								22526	

A

B

A

B

1 | 2

3

4

1 | 2

Pro/E

PDM: Rev: C

STATUS: Released

Printed: Sep 26, 2008

Tous droits strictement réservés. Reproduction ou communication a des tiers interdite sous quelque forme que ce soit sans autorisation écrite du propriétaire. Propriété de c.FCI. Droits de reproduction FCI.

All rights strictly reserved. Reproduction or issue to third parties in any form whatever is not permitted without written authority from the proprietor. Property of FCI. Copyright FCI.



1 | 2

3

4

PRODUCT NUMBER

51939-011--
NOTE: 3

NOTES:

1. DIMENSIONS AND TOLERANCES ARE IN ACCORDANCE WITH ASME Y14.5M, 1994 UNLESS OTHERWISE SPECIFIED.

CONNECTOR NOTES:

② HOUSING MATERIAL: UL 94 V-0 GLASS FILLED HIGH-TEMP THERMOPLASTIC
POWER CONTACT MATERIAL: COPPER ALLOY
SIGNAL PIN MATERIAL: COPPER ALLOY

△ ③ PLATING:
SEE ITEM 1&2 IN PRINT 10064183 FOR PLATING SPEC OF 51939-011; 51939-011LF

④ MANUFACTURER'S NAME, P/N, AND DATE CODE TO APPEAR ON THIS SURFACE.

⑤ PRODUCT SPECIFICATION GS-12-149.
APPLICATION SPECIFICATION BUS-20-067.

PCB NOTES:

- ⑥ ALL HOLE DIAMETERS ARE FINISHED HOLE SIZE.
- ⑦ MOUNTING HOLES, WHERE APPLICABLE, ARE UNPLATED.
- 8. $\varnothing 1.151 \pm 0.025$ DRILLED HOLES PLATED WITH) 0.008 MIN SnPb OR Sn OVER 0.03 TO 0.08 Cu PLATING TO ACHIEVE $\varnothing 1.02 \pm .07$ HOLE.
- 9. "DIM XXX" TO BE DETERMINED BY THE CUSTOMER.
- 10. CONNECTOR KEEP-OUT ZONE.
- 11 A △ SYMBOL WILL BE NEXT TO ANY DIMENSION, VIEW, OR NOTE WHICH HAS BEEN MODIFIED WITH THE CURRENT DRAWING REVISION.

mat'l code				SEE NOTE		tolerances unless otherwise specified		CUSTOMER		www.fciconnect.com	
lir	ecn no.	dr	date	linear	0.X ±0.5		COPY			title	
C					0.XX ±0.25		projection			4P + 32S + 1P	
					0.XXX ±0.10					RIGHT ANGLE SOLDER HEADER	
				angles	0° ±2°				product family		code
				dr	J. SHAFFER	03-18-02			PwrBlade		213
				enrg	J. ALLISON	03-18-02			size	dwg no	sheet
				chr	J. ALLISON	03-18-02			A	51939-011	4
				appd	J. ALLISON	03-18-02	scale				
sheet index		revision sheet									

1 | 2

Pro/E

PDM: Rev: C

STAT: Released

Printed: Sep 26, 2008

cage code 2856

4